

Forenta

Morristown, TN U.S.A.

"C" Series Offset Utility Press

Model 461SULMOHC



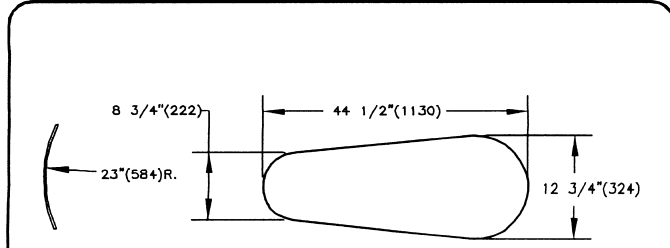
- Offset Left Hand Head and Buck for Easy Dressing
- Fall-Away Table with Lower Garment Rack
- Electric Switches, Simple Maintenance
- Buck Steam and Vacuum
- Hot Head for Firm Pressing
- Variable Head Pressure for Quality Finishing
- Two Hand Control

Water Spray Standard/Iron Attachment, Sleeve Board Optional.

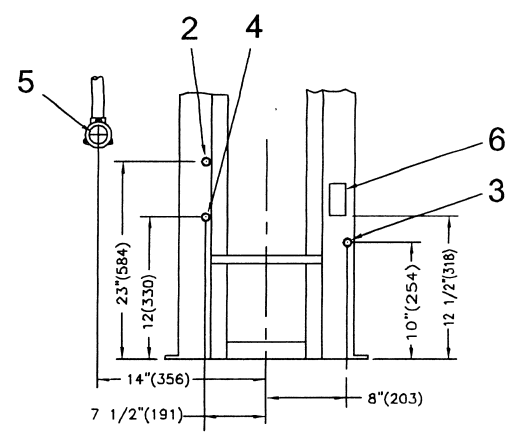
Specifications

Model 461SULMOHC

Electrical connections		461SULMOHC
Voltage 120V 1PH 50/60Hz .5amps		Standard optional
Voltage 230V 1PH 50/60Hz .25amps		
Optional Iron Attachment:		1000 0.5 KWH
Voltage 120V 1PH 50/60Hz Wattage Approx. Consumption/hour		
Steam and Air connection		
Steam Inlet	NPT	1/2"
Steam Outlet	NPT	1/2"
Rec. steam pressure	PSIG kPa	75-85 517-586
Steam consumption @ 80psig(552 kPa)	BHP kg/hr	1 15.6
Compressed air	NPT	3/8"
Air consumption	free air/cycle at 80psig free air/cycle at 552kPa	.42 cu.ft. 12 liters
Rec. air pressure	PSIG kPa	80 552
Air Vacuum Connection	NPT	1 1/4"
Weight (crated)		
Shipping	lbs kg	782 355
1 Control Push Buttons	4 Steam Outlet connection	
2 Steam connection	5 Air Vacuum Connection	
3 Air connection	6 Electrical Connection	



Buck Dimensions



Detail Line Drawing (millimeters shown in parentheses)

