



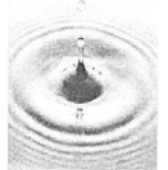
**CLOUD XL**



**CLOUD XL**

**STEAM CLEANING  
MACHINE**

**TECHNICAL INFORMATION**



*All technical data are subject to change without notice.*

**CLOUD XL**

WORKING MACHINE WITH SOLVENT	WATER	
MACHINE CAPACITY	20 Kg	44 Lbs

BASKET		
Diameter	1000 mm	39.4 inches
Depth	640 mm	25.2 inches
Volume	500 Lt	17.7 cu.ft
Basket speed	20 ÷ 60 rpm	
Door opening	500 mm	20 inches

BOILERS <i>Filling with soft water with hardness &lt;5°f (&lt;50 ppm)</i>		
Heater boiler water capacity	6 Lt	1.6 gal
Cleaning chamber cavity heating water capacity	31 Lt	8.2 gal
Boilers Total water capacity	37 Lt	9.8 gal

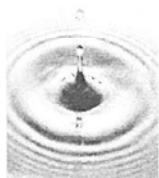
ELECTRIC POWER	400V - 3~50Hz		220V - 3~60Hz	
* Main motor (Inverter)	0.8÷4 Hp	0.6÷3 Kw	0.8÷4 Hp	0.6÷3 Kw
Dehumidification Blower	1 Hp	0.75 Kw	1 Hp	0.75 Kw
Vacuum Pump	1.5 Hp	1.1 Kw	1.8 Hp	1.35 Kw
Air motor compressor (optional)	0.5 Hp	0.38 Kw	- Hp	- Kw
<i>Electric Version:</i>				
Heater boiler electric elements	-	- Kw	-	- Kw
Cleaning chamber cavity heating electric elements	-	- Kw	-	- Kw
Dehumidification electric elements	-	- Kw	-	- Kw

\* POWER CHANGES ACCORDINGLY TO THE USE OF THE MACHINE

NOTE: Acoustic emission level of the machine is lower than 70 dB (A)

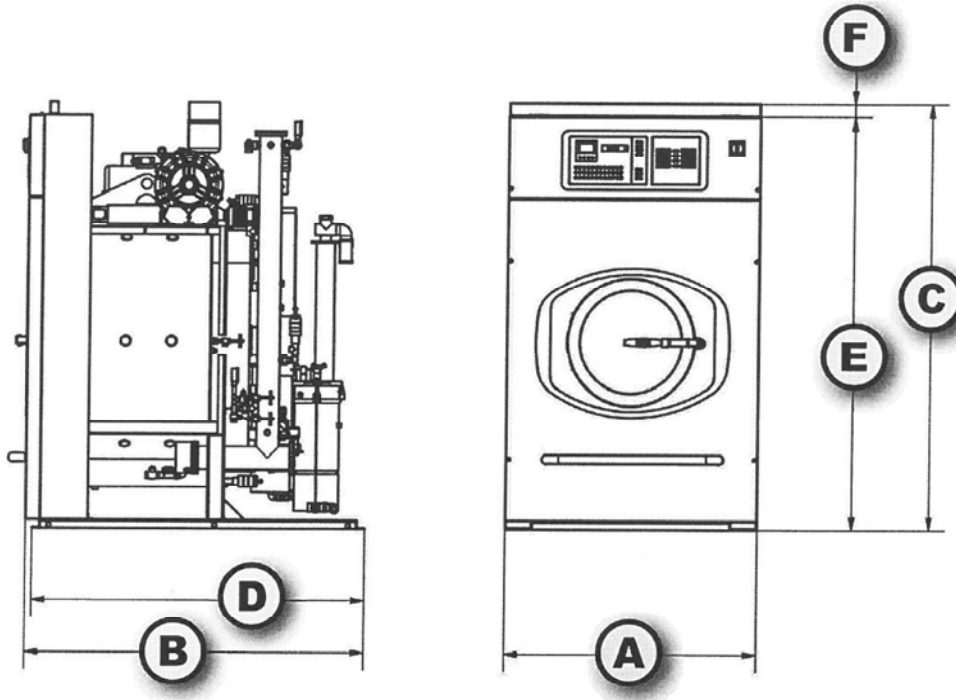
INFORMATION FOR THE ELECTRICAL CONNECTIONS (400V - 3~50Hz)		
Max. Power - ELECTRIC Version	- Kw	- Amp
Max. Power - STEAM Version	2.5 Kw	6.5 Amp
Dissipated heat	- Kcal	

INFORMATION FOR THE ELECTRICAL CONNECTIONS (220V - 3~60Hz)		
Max. Power - ELECTRIC Version	- Kw	- Amp
Max. Power - STEAM Version	2.7 Kw	10 Amp
Dissipated heat	- Kcal	

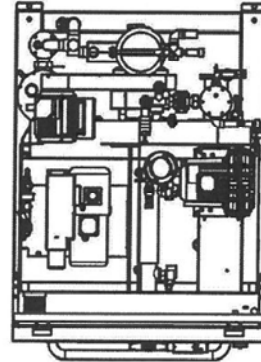




**DIMENSIONS AND WEIGHTS**



DIMENSIONS		
A	1210 mm	47.6 inches
B	1685 mm	66.3 inches
C	2045 mm	80.5 inches
D	1600 mm	63 inches
E	1985 mm	78.1 inches
F	60 mm	2.4 inches



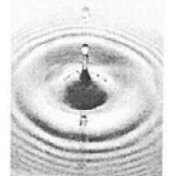
CHARGES		
Empty machine weight	820 Kg	1808 Lbs
Machine weight with water	857 Kg	1889 Lbs
Static charge on the floor (+10%)	486 Kg/m <sup>2</sup>	99.5 Lbs/ft <sup>2</sup>

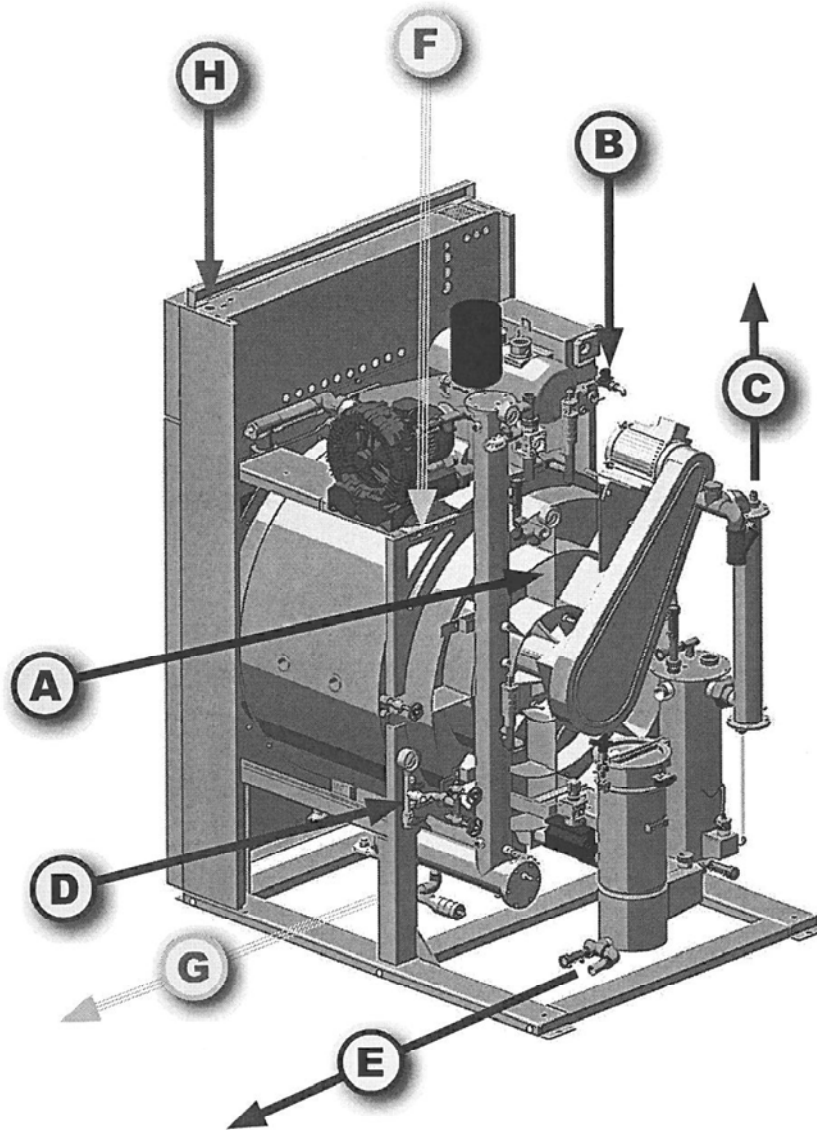
GENERAL INFORMATION		
Required water capacity	10 Lt/min	2.6 gal/min
Required water pressure	2 ÷ 3 bar	29 ÷ 44 psi
Required water temperature	18 ÷ 23 °C	65 ÷ 73 °F
Required air pressure	7 ÷ 8 bar	100 ÷ 115 psi
Required steam* pressure (Steam Version)	1.5 ÷ 2.5 bar	22 ÷ 36 psi
Required steam* availability (Steam Version)	10 Kg/h	22 Lbs/h

\* Relative values of dry saturated steam.

All technical data are subject to change without notice.

TECHNICAL INFORMATION



**CONNECTIONS**


A	Compressed air inlet	Ø 6mm	Ø 1/4"
B	Cooling water inlet	Ø 1/2"	
C	Cooling water outlet	Ø 1/2"	
D	Demineralized water inlet	Ø 1/4"	
E	Water discharge	Ø 1"	
F	Steam inlet (Only steam version)	Ø 1/2"	
G	Condensate outlet (Only steam version)	Ø 1/2"	
H	Electric connection		

TECHNICAL INFORMATION

